

## DESCRIPTION

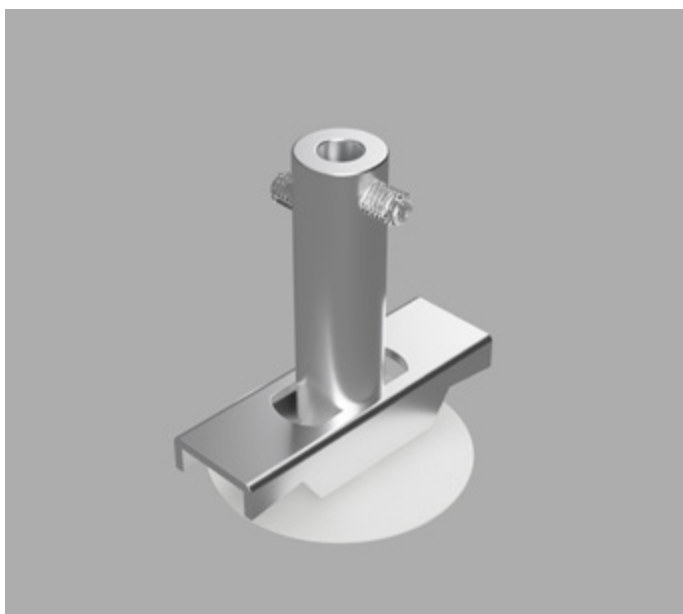
Note: Maximum weight 8kg.

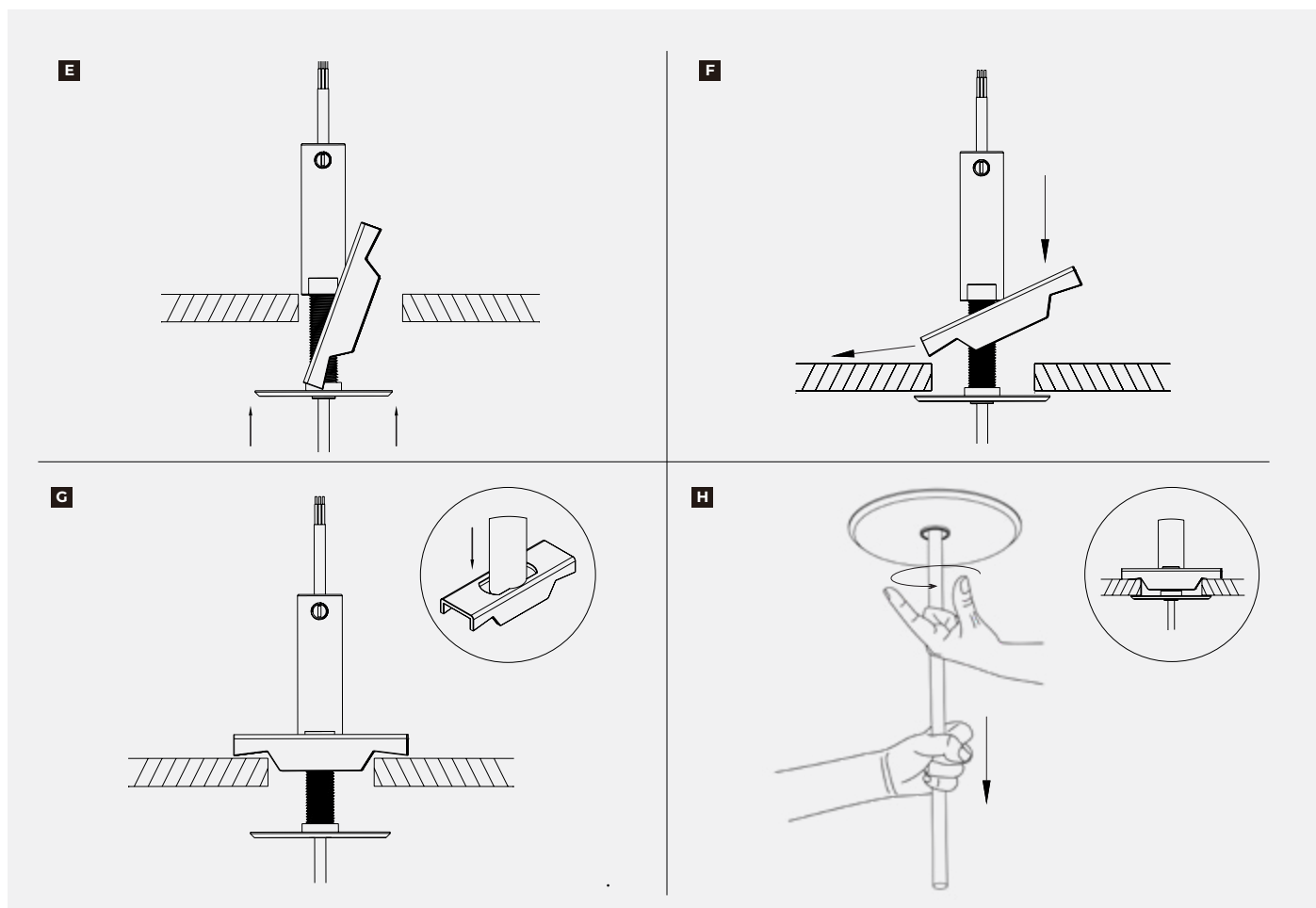
A. Drill a hole within  $\varnothing 35\text{mm}$  to  $\varnothing 44\text{mm}$  in desired location.

B. Assemble canopy plate (2) and inner tube (4) maintaining 30mm of thread. Fit grommet (1) into cable entry hole.

C. Thread cable from the bottom of the canopy plate to the required drop length. Thread anchor (3) and inner tube (4) through cable locking into place with grub screws.

D. Once cable is secured position anchor in diagonal direction.





## DESCRIPTION (Continued)

E. Insert cable and anchor into recessed hole.

F. Allow anchor to drop into horizontal position.

G. Ensure locating recesses of inner tube (4) are correctly positioned for correct tightening.

H. While holding cable rotate canopy plate (2) anti clockwise until flush with the ceiling.

